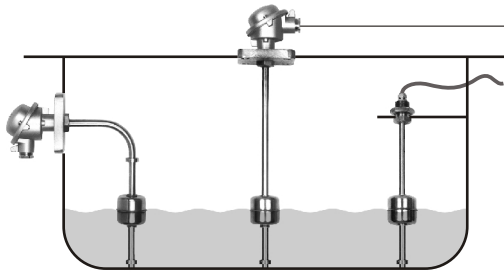
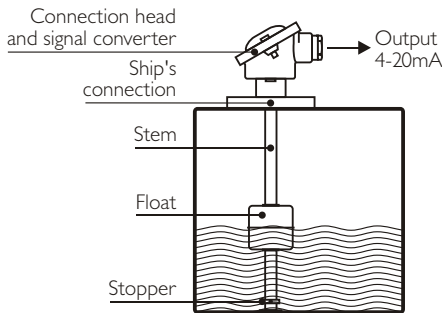


# MAGNETIC LEVEL MEASUREMENTS ITMLM



## • MAGNETIC LEVEL MEASUREMENTS

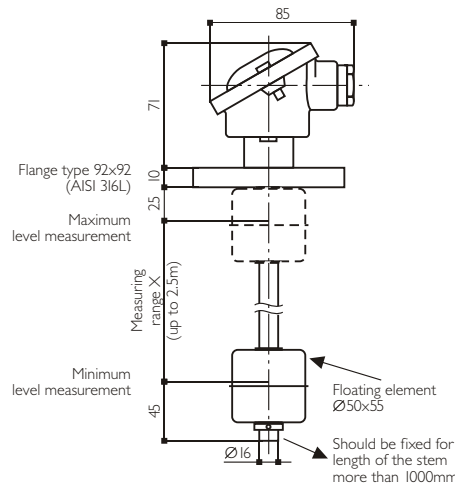
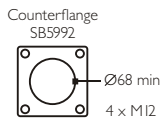
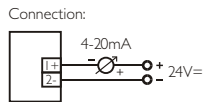
- Continuous level measurement
- Accuracy within 15 mm
- Measuring range up to 2.5 meters (more on special request only)
- Top or side mounting
- Material used (stainless steel AISI 316L) makes it suitable for use in various liquids



## PRINCIPLE OF OPERATION

Resistors network and reed switches are incorporated in the stem. The float with built-in magnet moves with liquid level and activates reed switches. Resistor network changes value due to operation of reed switches. Over signal converter, resistance is converted to analogue signal of 4-20mA. Signal converter is inside of the connection head but also can be delivered in separate box.

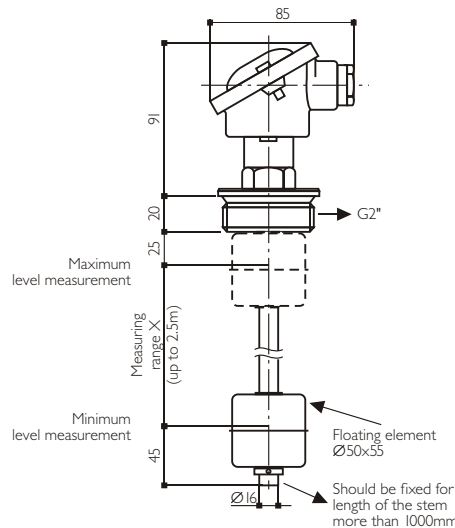
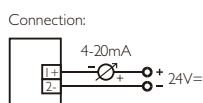
### • ITMLM-01-92



#### TECHNICAL CHARACTERISTICS

- Connection head protection: IP 65 with cable gland PG 16
- Wetside material AISI 316L
- Flange: Standard 92x92 stainless steel AISI 316L
- Signal converter inside of connection head
- Temperature range: up to 100°C (for signal converter up to 70°C)
- Floating element Ø50x55, floatness 0.55
- Top mounting
- Resolution within 15mm
- Output 4-20mA

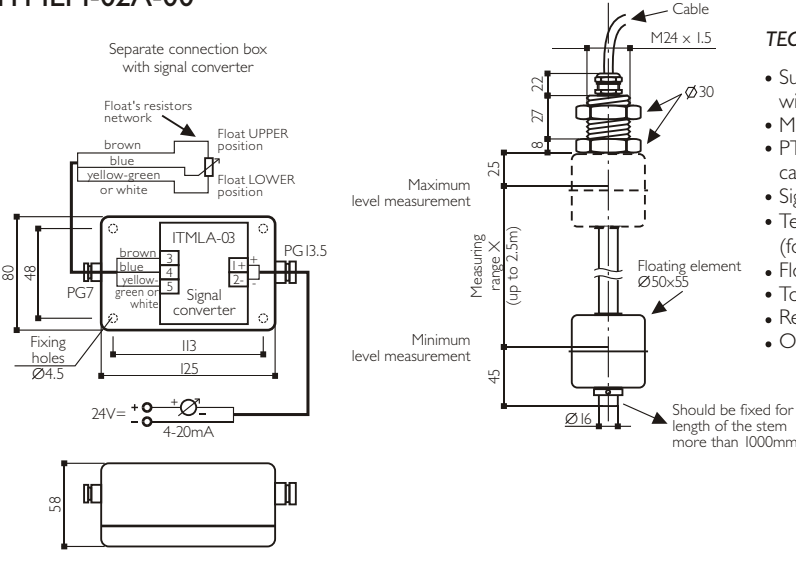
### • ITMLM-01-G2"



#### TECHNICAL CHARACTERISTICS

- Connection head protection: IP 65 with cable gland PG 16
- Wetside material AISI 316L
- Ship's connection G2"
- Signal converter inside of connection head
- Temperature range: up to 100°C (for signal converter up to 70°C)
- Floating element Ø50x55, floatness 0.55
- Top mounting
- Resolution within 15mm
- Output 4-20mA

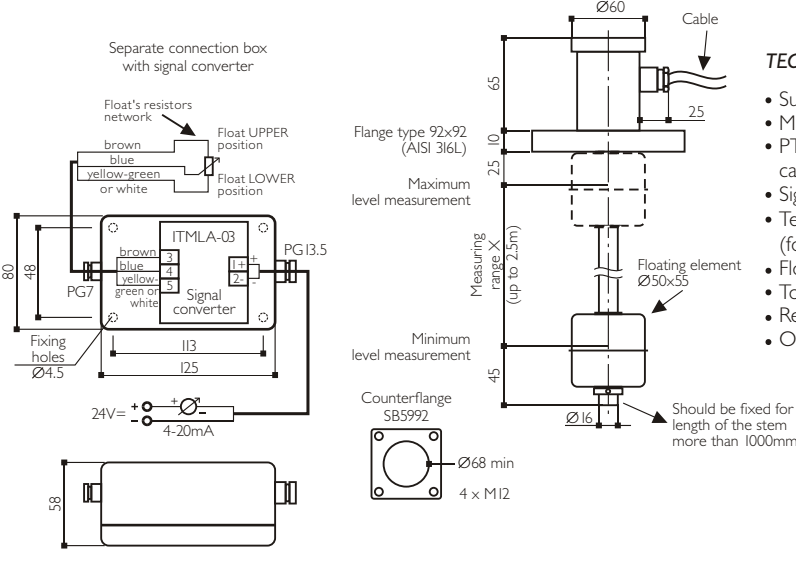
• **ITMLM-02A-00**



**TECHNICAL CHARACTERISTICS**

- Submersible version, IP 68 without connection box
- Material AISI 316L
- PTFE, teflon cable 3, 5, 7m or more can be ordered
- Signal converter is delivered separately
- Temperature range: up to 120°C (for signal converter up to 70°C)
- Floating element Ø50x55, floatness 0.55
- Top mounting
- Resolution within 15mm
- Output 4-20mA

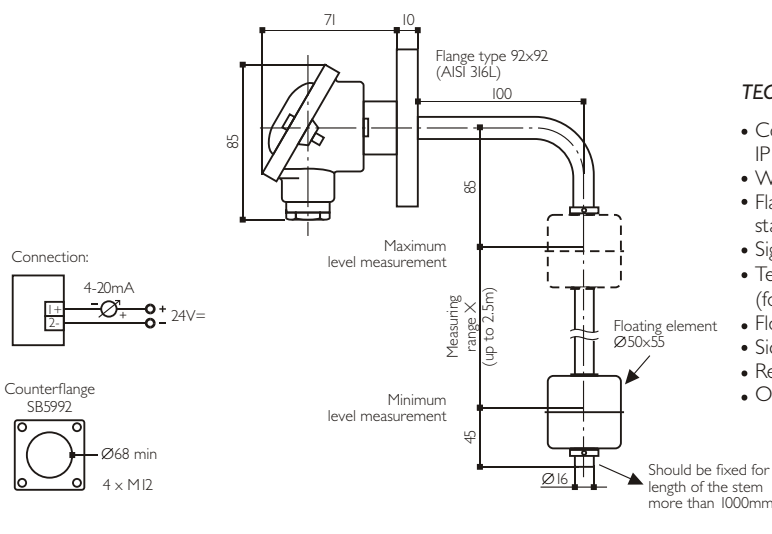
• **ITMLM-02-92**



**TECHNICAL CHARACTERISTICS**

- Submersible version, IP 68
- Material AISI 316L
- PTFE, teflon cable 3, 5, 7m or more can be ordered
- Signal converter is delivered separately
- Temperature range: up to 120°C (for signal converter up to 70°C)
- Floating element Ø50x55, floatness 0.55
- Top mounting
- Resolution within 15mm
- Output 4-20mA

• **ITMLM-03-92**



**TECHNICAL CHARACTERISTICS**

- Connection head protection: IP 65 with cable gland PG 16
- Wetside material AISI 316L
- Flange: Standard 92x92 stainless steel AISI 316L
- Signal converter inside of connection head
- Temperature range: up to 100°C (for signal converter up to 70°C)
- Floating element Ø50x55, floatness 0.55
- Side mounting
- Resolution within 15mm
- Output 4-20mA

All dimensions are in mm.